



ASS-T & ASM SOUNDERS



ASS-T



32 tones



ASM



32 tones

Features

- 32 different tones dip switch selectable.
- In a new cubic design.
- Electrical connection via cage clamp
- 3 stage alarm/tones externally switchable.
- Versatile installation and mounting options.
- Fit for PLC applications (leakage, inrush current).
- Flexible combinations of sounders and beacons.
- Accessory kits (P.T.O.)
- IP66

lateral cable entry on both sides with cable gland



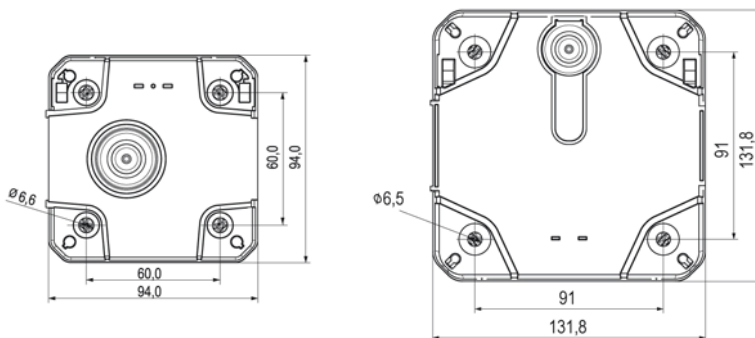
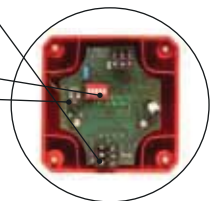
grommet for rear cable entry



electrical connection via detachable terminal block

tone selection via dip switch

volume control by potentiometer



Possible Combinations & Accessories

Products Sold Separately

ASM Sounder + IBM Beacon



2 x QDM Beacons + ASM Sounder or
2 x QDS Beacons + ASS - T Sounder



QDS Beacon + ASS -T Sounder



QDM Beacon + ASM Sounder



Part Numbers:

Bracket - AB1 for mounting QDS and ASS - T
Bracket - AB2 for mounting QDM and ASM
for mounting of sounders or beacons



Part Numbers:

Gasket - AG1 for mounting QDS and ASS - T
Gasket - AG2 for mounting QDM and ASM
for correct IP66 installation on smooth surfaces



Part Number:

Coupling - Kitamk
for mounting/combination of 2 or more
same size sounders or beacons



Part Numbers:

ASM-024	SOUNDER 32-TONE 113dB IP66 24VAC/DC
ASM-240	SOUNDER 32-TONE 113dB IP66 240VAC
ASS-T-024	SOUNDER 32-TONE 108dB IP66 24VAC/DC
ASS-T-240	SOUNDER 32-TONE 108dB IP66 240VAC