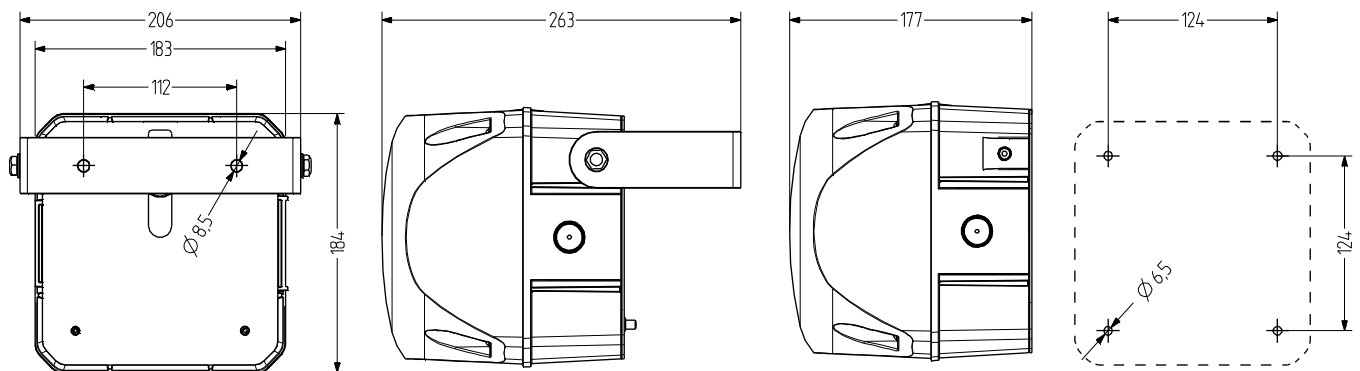


QDL LED steady/flashing beacon

- 184 mm cubic-design LED steady/flashing beacon
- Good frontal and lateral signalling effect
- Up to 170 cd luminous intensity
- High degree of protection IP 66 & impact resistance IK09
- UV-stabilised material
- Modern LED technology – 6 high-power LEDs
- Steady and flashing light, can be switched externally
- For industrial and general applications
- Combinations of beacons and multi-tone alarm sounders possible



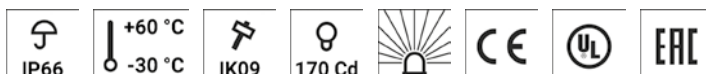
Internal diffuser and special lens pattern for optimal 360° signalling effect



TECHNICAL DATA

Housing	184 mm (square), Polycarbonate red (RAL 3000)
Lens	Polycarbonate, ribbed inside orange, red, clear, blue, green or yellow
Type of mounting	any
Cable entry	Back: Grommet 5–10 mm, optional side cable entry with cable gland (on both sides) (accessory type AKV)
Connection technology	Screw/plug-in terminal 2,5 mm ²
Leakage current	0,003 A (PLC-suitable)
Beacon type	LED steady beacon or LED flashing beacon

Light source	6 High Power LEDs
Luminous intensity	170 Cd
Strobe/flash frequency	1 Hz
Duty cycle	100 %
Service life	Light source: >50.000 h
Operating temperature	-30°C/+60°C
Degree of protection	IP66 & UL Type 4/4x/13
Impact resistance	IK09
Weight	1,7 kg



QDL

ORDER DATA

Lens colour	Nominal voltage	Voltage range (V)	Nominal current (A)	Order number
orange	24-48 V AC/DC	18-53 V AC 18-60 V DC	0,780	874 361 408
	110-240 V AC/DC	80-265	0,210	874 361 413
red	24-48 V AC/DC	18-53 V AC 18-60 V DC	0,780	874 362 408
	110-240 V AC/DC	80-265	0,210	874 362 413
clear	24-48 V AC/DC	18-53 V AC 18-60 V DC	0,780	874 364 408
	110-240 V AC/DC	80-265	0,210	874 364 413
blue	24-48 V AC/DC	18-53 V AC 18-60 V DC	0,780	874 365 408
	110-240 V AC/DC	80-265	0,210	874 365 413
green	24-48 V AC/DC	18-53 V AC 18-60 V DC	0,780	874 366 408
	110-240 V AC/DC	80-265	0,210	874 366 413
yellow	24-48 V AC/DC	18-53 V AC 18-60 V DC	0,780	874 367 408
	110-240 V AC/DC	80-265	0,210	874 367 413



Steady & flashing



AMK



AB3



AG3



AKV

ACCESSORIES

Type	Type of accessory	Weight	Order number
AMK	Mounting set for combining several pieces of signalling equipment of the same size	10 g	874 010 900
AB3	Mounting set for metal bracket for mounting in any direction (e.g. on mounting platforms)		874 033 900
AG3	Flat seal for correct IP66 installation on smooth surfaces		874 023 900
AKV	Cable gland M20×1,5		698 800 026