

## Type series H 37



New:  
5 years warranty



### Product features

- 7- or 8- digit hour meter
- Without reset, high shock resistance
- Small dimensions, large optical figures
- Protection to IP 65 on the front side
- Panel mount meter with integral latching springs (H37.4)

### Your benefit

- **5 years warranty\***  
high reliability means your end product sells better
- Data retention if power is lost
- Long service life

### Applications

general time counting, service intervals for measuring devices (respiratory ventilators, oxygen machines, dialysis machines), small appliances, UV lamps, display panels in vehicles

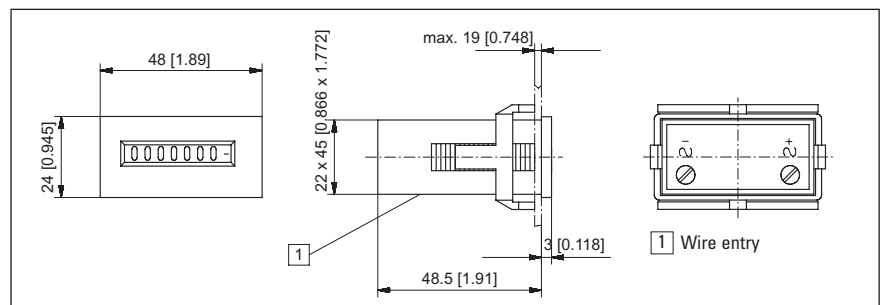
\* subject to use in accordance with the technical data

### Technical data:

Electrical connection:	Screw terminal, tightening torque max 0,8 Nm	
Power consumption:	10 ... 30 V DC:	approx. 500 mW
	36 ... 80 V DC:	approx. 900 mW
	100 ... 130 V DC:	approx. 750 mW
	20 ... 30 V AC, 50 Hz:	approx. 0.3 VA
	42 ... 48 V AC, 50 Hz:	approx. 0.25 VA
	100 ... 130 V AC, 50 Hz:	approx. 0.6 VA
Rated voltages:	187 ... 264 V AC, 50 Hz:	approx. 1.2 VA
	20 ... 30/42 ... 48/100 ... 130/187 ... 264 V AC	
	50 or 60 Hz, 10 ... 30/36 ... 80/100 ... 130 V DC	
On time:	100 %	
Display:	7 for AC:	99999.99
	8 for DC:	999999.99
Accuracy:	AC: Supply frequency + 30 ms DC: < 0.003 % (24 h)	
Count mode:	adding	
Height of figures:	4 mm [0.158"]	
Colour of figures:	white and red on black	
Reset:	no	
Ambient temperature:	-10 ... +50 °C [14 ... 122 °F]	
Mounting position:	any	
Protection:	IP 65 (front-side, built in)	
Housing:	Plastic	
	IP 65 are sealed	

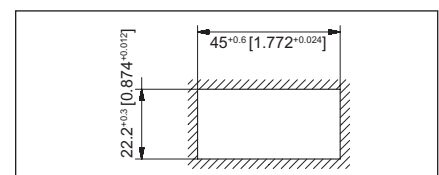
Weight:		
H 37 approx.	50 g [1.764 oz]	
Slip on bezel 37.1	6 g [0.212 oz]	
Slip on bezel 37.2	2 g [0.071 oz]	
Options:	1. Colour of housing: grey	Art. no. 3.130.X50.XXX
	2. Electrical connection:	
	a) Flat pins 0.8 x 6,3 mm [0.032 x 0.248"]	Art-No.: 3.24X.20X.XXX.011
	b) Screw terminal with terminal cover	Art-No.: 3.24X.20X.XXX.456
Accessories:		
Slip on bezel 37.1	black:	Art-No.: T008.161
	grey:	Art-No.: T008.160
Slip on bezel 37.2	black:	Art-No.: T008.165
	grey:	Art-No.: T008.164
Terminal cover <b>KA37</b>	2 pcs required per counter Art-No.: T051.687	
Seal:	Art-No.: N511015	
	for H 37.2 and H 37.4	
	Art-No.: N511029 for H 37 and H 37.5	
Approvals:	UL for USA and Canada E128604	

## H 37

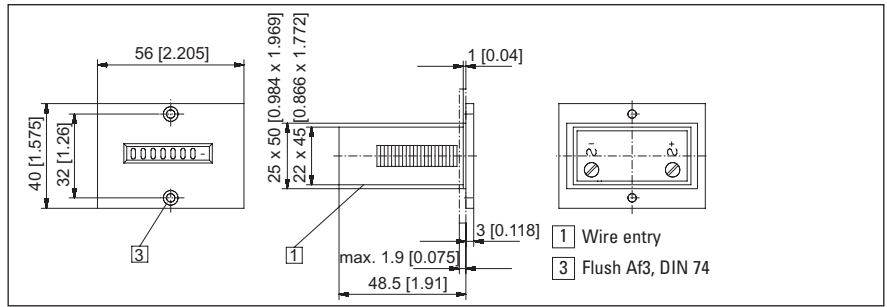


Voltage	Art-No. (AC), 50 Hz	Art-No. (AC), 60 Hz	Art-No. (V DC)
10 ... 30			3.240.201.351
20 ... 30	3.240.201.071	3.240.201.081	
36 ... 80			3.240.201.353
42 ... 48	3.240.201.072	3.240.201.082	
100 ... 130	3.240.201.074	3.240.201.084	3.240.201.381
187 ... 264	3.240.201.075	3.240.201.085	

### Panel cut-out

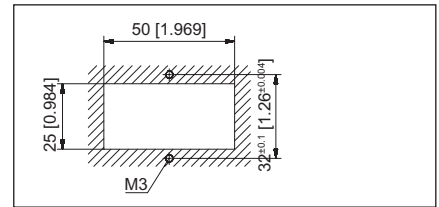


## H 37.1

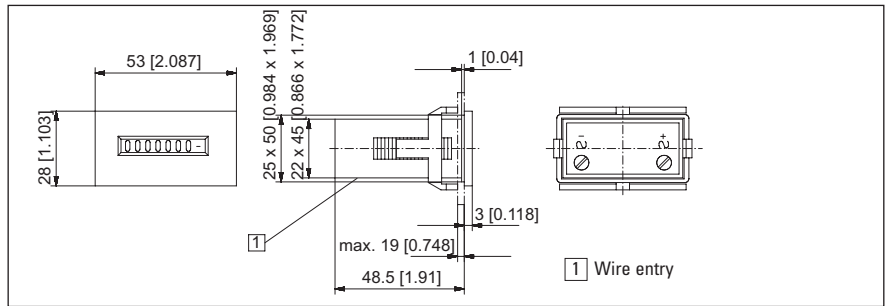


Voltage	Art-No. (AC), 50 Hz	Art-No. (AC), 60 Hz	Art-No. (V DC)
10 ... 30			3.241.201.351*
20 ... 30	3.241.201.071	3.241.201.081	
36 ... 80			3.241.201.353
42 ... 48	3.241.201.072	3.241.201.082	
100 ... 130	3.241.201.074	3.241.201.084	3.241.201.381
187 ... 264	3.241.201.075	3.241.201.085	

Panel cut-out

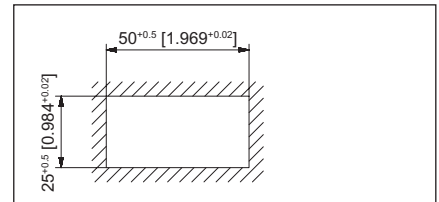


## H 37.2

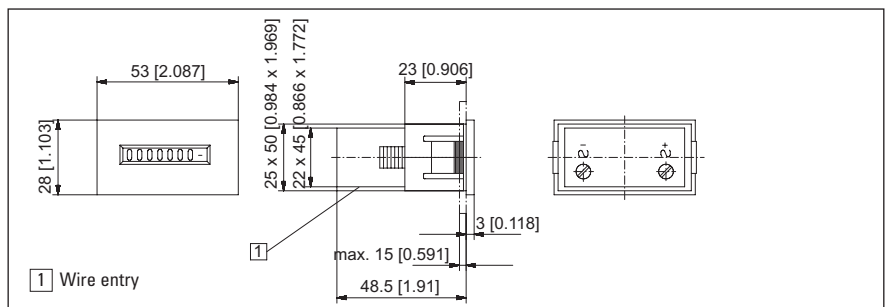


Voltage	Art-No. (AC), 50 Hz	Art-No. (AC), 60 Hz	Art-No. (V DC)
10 ... 30			3.242.201.351*
20 ... 30	3.242.201.071	3.242.201.081	
36 ... 80			3.242.201.353
42 ... 48	3.242.201.072	3.242.201.082	
100 ... 130	3.242.201.074	3.242.201.084	3.242.201.381
187 ... 264	3.242.201.075*	3.242.201.085	

Panel cut-out

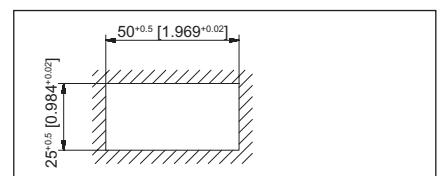


## H 37.4



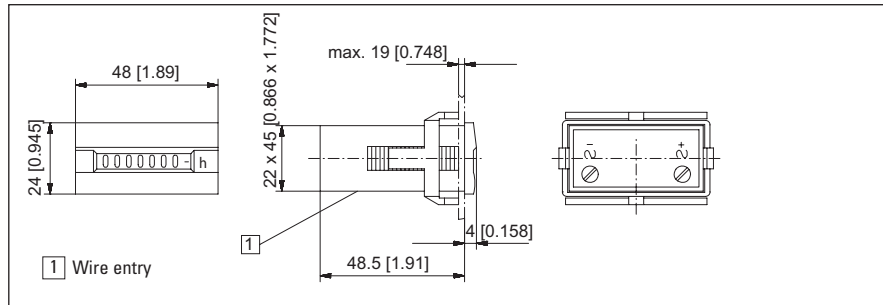
Voltage	Art-No. (AC), 50 Hz	Art-No. (AC), 60 Hz	Art-No. (V DC)
10 ... 30			3.244.201.351*
20 ... 30	3.244.201.071	3.244.201.081	
36 ... 80			3.244.201.353
42 ... 48	3.244.201.072	3.244.201.082	
100 ... 130	3.244.201.074	3.244.201.084	3.244.201.381
187 ... 264	3.244.201.075*	3.244.201.085	

Panel cut-out



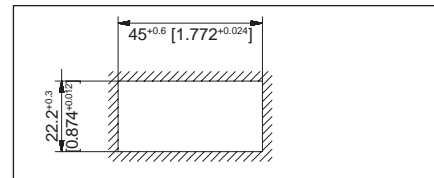
\*standard stock model

## H 37.5

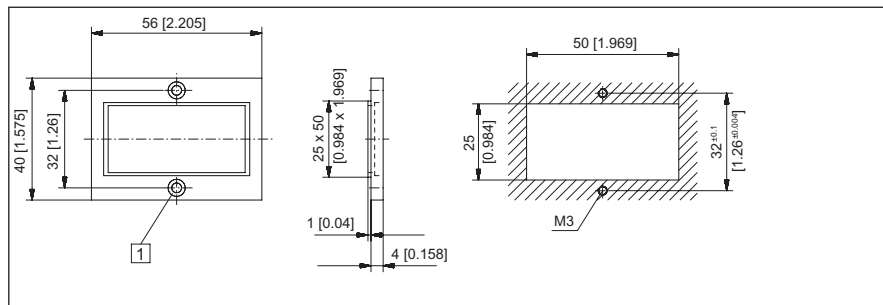


Voltage	Art-No. (AC), 50 Hz	Art-No. (AC), 60 Hz	Art-No. (V DC)
10 ... 30			3.245.201.351
20 ... 30	3.245.201.071	3.245.201.081	
36 ... 80			3.245.201.353
42 ...	3.245.201.072	3.245.201.082	
100 ... 130	3.245.201.074	3.245.201.084	3.245.201.381
187 ... 264	3.245.201.075	3.245.201.085	

Panel cut-out



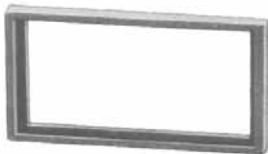
## Slip on bezel 37.1



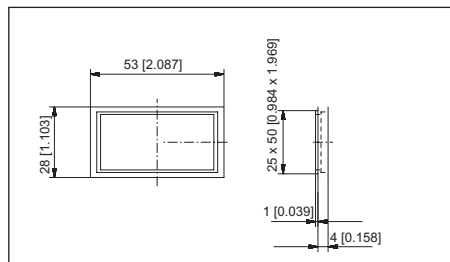
1 Countersunk Af3, DIN 74

black: Art-No. T008.161

## Slip on bezel 37.2



Panel cut-out 50 x 25 mm [1.969 x 0.984"]



black: Art-No.: T008.165

## Terminal cover KA 37



black: Art-No.: T051.687  
(2 pcs required/counter)



Sealing gasket for H37 and H37.5:  
Art-No.: N511.029

Sealing gasket for H37.2 and H37.4:  
Art-No.: N511.015