

## Type series H 57



- 7- resp. 8-digit hour meter
- High shock resistance
- Without reset
- Small dimension
- Magnified figures
- Protection IP 52
- Data retention when breaking of power supply
- Long service life
- Optional mounting position
- UL-approvals

### Applications

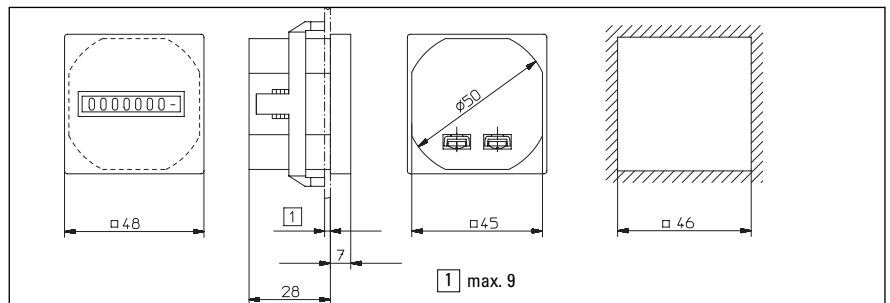
general counting, service interval for measurement systems (respiratory ventilators, oxygen machines, dialysis machines), small appliances, UV lamps, display panels in cars.

### Technical data:

Electrical connection:	Screw terminal, wire entry from rear	
Power consumption:	10 ... 30 V DC:	appr. 500 mW
	10 ... 50 V DC:	appr. 900 mW
	100 ... 130 V DC:	appr. 750 mW
	20 ... 30 V AC, 50 Hz	appr. 0,3 VA
	42 ... 48 V AC, 50 Hz	appr. 0.25 VA
	100 ... 130 V AC, 50 Hz	appr. 0.6 VA
	187 ... 264 V AC, 50 Hz	appr. 1.2 VA
Rated voltages:	360 ... 440 V AC, 50 Hz	appr. 1.65 VA
	20...30/42...48/100...130/187...264/360...440 V AC, 50 or 60 Hz, 10...30/10...50/100...130 V DC	
On time:	100 %	
Display:	7 resp. 8	
	99999.99 at AC resp. 999999.99 at DC	
Count mode:	adding	
Height of figures:	4 mm	
Colour of figures:	white and red on black	
Ambient temperature:	-15° ... +50°C	
Mounting position:	any	
Executions:		
Protection:	up to IP 52, DIN 40 050 front side	
Housing:	Plastic	
Weight:	H 57: 48 g; AH 57: 84 g	
Base mount socket No. 48	36 g	
Slip-on bezel 55	8 g	
Slip-on bezel 72	13 g	

Operating indicator of the running time meter:	
AC:	Fast rotating wheel with red dashes
DC:	1/100 h display turns continuously by 1 digit in 36 s
Test voltage:	2000 V AC , 50 Hz for AC counters
Options:	Further voltages on request
Counter with wire entry from below, screw fixing from rear.	
	Art-No. 3.228.401.XXX
Colour of housing:	grey: Art-No. 3.22X.400.XXX
Flat pin	0.8 x 6.3 mm
	Art-No. 3.228.401.XXX
Cap wrapped (IP 65 from front)	
IP 65 version:	Order code: 3.3XX.XXX.XXX.422
Necessary sealing between counter and bezel:	
H 57:	N.511.018
H 57.55:	N.511.018 + N.511.017
H 57.72:	N.511.018 + N.511.016
(at IP 65 version delivery includes sealing)	
Approvals:	UL for USA and Canada E128604

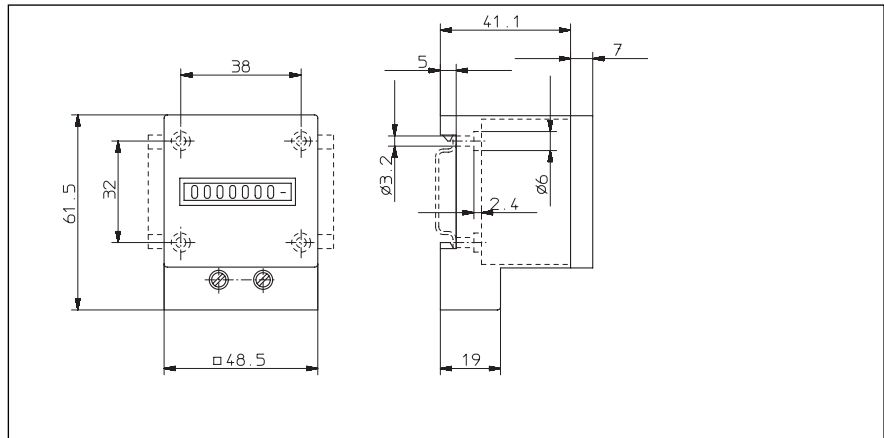
### H 57



Voltage	Art-No. (AC), 50 Hz	Art-No. (AC), 60 Hz	Art-No. (V DC)
10 ... 30			3.220.401.351
10 ... 50			3.220.401.371
20 ... 30	3.220.401.071	3.220.401.081	
36 ... 80			3.220.401.353
42 ... 48	3.220.401.072	3.220.401.082	
100 ... 130	3.220.401.074	3.220.401.084	3.220.401.381
187 ... 264	3.220.401.075	3.220.401.085	
360 ... 440	3.220.401.079	3.220.401.089	

## Type series H 57

AH 57



Voltage	Art-No. (AC), 50 Hz	Art-No. (AC), 60 Hz	Art-No. (V DC)
10 ... 30			3.223.401.351
10 ... 50			3.223.401.371
20 ... 30	3.223.401.071	3.223.401.081	
36 ... 80			3.223.401.353
42 ... 48	3.223.401.072	3.223.401.082	
100 ... 130	3.223.401.074	3.223.401.084	3.223.401.381
187 ... 264	3.223.401.075	3.223.401.085	
360 ... 440	3.223.401.079	3.223.401.089	

### Slip-on bezel 55 x 55

black: Art-No. T008.171  
grey: Art-No. T008.170



### Slip-on bezel 72 x 72

black: Art-No. T008.177  
grey: Art-No. T008.176



### Slip-on bezel No. 55 x 55

black: Art-No. G008.040  
grey: Art-No. G008.041



For hour meter H57 with flat pins  
Art-No. 3.228.401.XXX

**Slip-on bezel Ø 72 for Panel cut-out**  
Ø 60 mm, colour black Art-No. N.510.226