

# FP0 PLC PNP OUTPUT INTERFACE MODULE



## FP0 PLC 16 Way PNP Output Interface Module

It is designed to interface with the Panasonic FP0 range of PLCs via 10 way ribbon cables and 10 way IDC connectors.

The module provides 16 PNP outputs from the connected FP0 PLC. The 16 outputs are accessed via a 3 level by 8 way spring-cage connection terminal. 8 common 0V connections are also available on the spring-cage terminal.

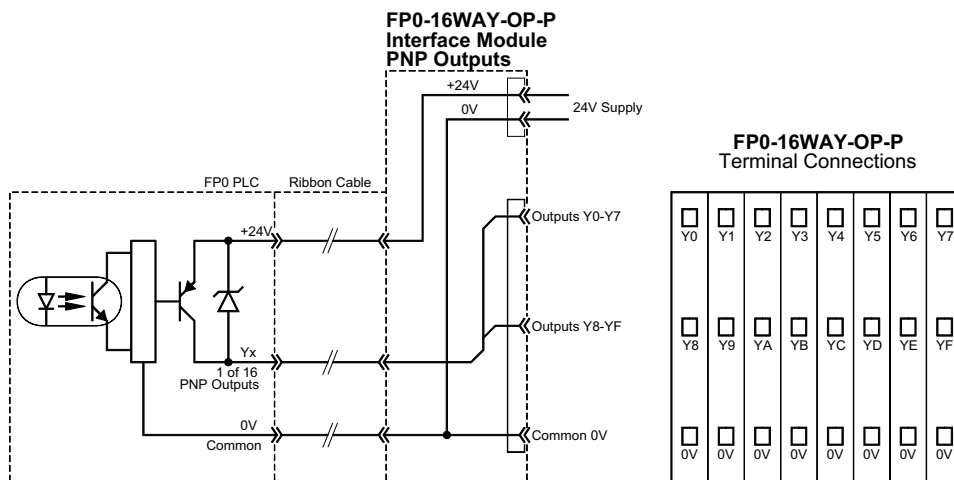
An external 24V supply powers the FP0 interface.

Order code:

**FP0-16WAY-OP-P** FP0 PNP output interface module.

## Specifications

<b>Outputs</b>	16 PNP outputs from a connected Panasonic FP0 PLC : spring-cage terminals, 2 rows of 8 : 0V common, 1 row of 8 spring-cage terminals
<b>Supply Input</b>	: 24V dc to power the FP0 PLC interface
<b>Temperature</b>	Operating : -10°C to +20°C to +50°C Storage : -20°C to +70°C
<b>EMC Compliance</b>	: AS/NZS 61000.6.3:2012
<b>Housing</b>	DIN rail mounted polyamide, flame retardant UL 94 V0.
<b>Terminals</b>	Spring steel clamp, tin plated copper alloy terminal : up to 1.5mm <sup>2</sup> stranded conductor : wire stripping 9mm



## CARREL ELECTRADE LTD

MANUFACTURERS, IMPORTERS AND DISTRIBUTORS OF ELECTRICAL ENGINEERING PRODUCTS  
 POSTAL ADDRESS: P O BOX 11078, ELLERSLIE 1542, AUCKLAND NEW ZEALAND  
 FACTORY AND OFFICE: 661 GREAT SOUTH ROAD, PENROSE 1061  
 TELEPHONE: +64-9-525 1753 FACSIMILE: +64-9-525 1756  
 CHRISTCHURCH BRANCH: 73B BRISBANE STREET, SYDENHAM  
 TELEPHONE: 03-366 1242 FACSIMILE: 03-379 1991  
 EMAIL: sales@carrel-electrade.co.nz WEB: www.carrel-electrade.co.nz