

# FP0 PLC 8 WAY INPUT INTERFACE MODULE



## Panasonic FP0 PLC 8 Way Input Interface Module

The module provides an interface for 8 inputs with a supply voltage terminal and a 0V terminal for each of the 8 inputs all on a 3 level by 8 way spring-cage connection terminal.

It designed to interface with the Panasonic FP0 range of PLCs via 10 way ribbon cable and 10 way IDC connectors.

An external 24V supply connection powers the FP0 interface and can be used to power external devices driving the inputs.

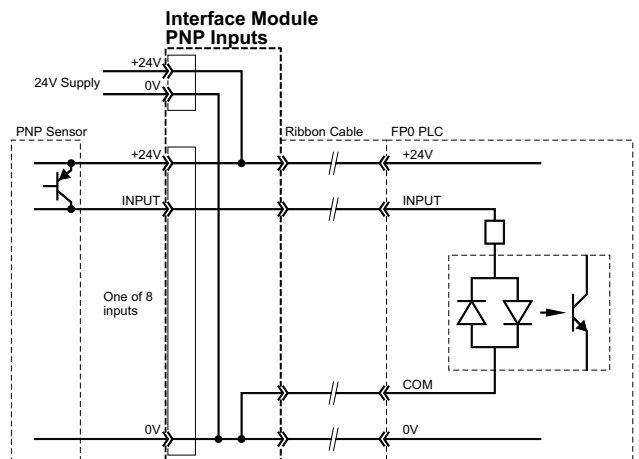
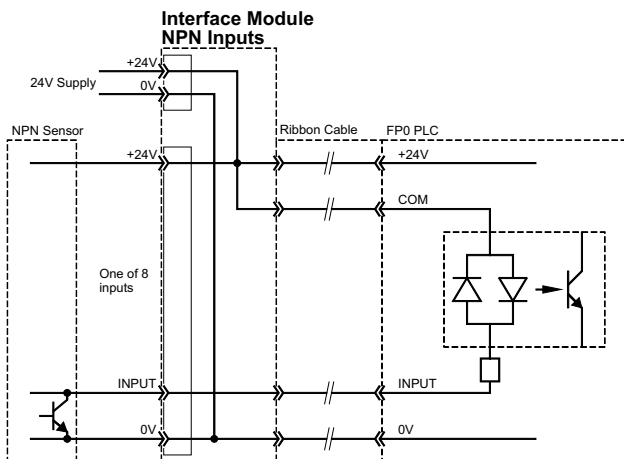
The modules come in two variations, one to interface the FP0 inputs with NPN outputs and the other to interface the FP0 inputs with PNP outputs.

Order codes:

- FP0-8WAY-INPUT-N** NPN interface module.
- FP0-8WAY-INPUT-P** PNP interface module.

## Specifications

<b>Inputs</b>	8 inputs configured to interface with either NPN or PNP outputs
<b>Supply Input</b>	: 24V dc to supply external devices
<b>Supply Connections</b>	: 8x +24V and 8x 0V terminals to supply external devices
<b>Temperature</b>	Operating : -10°C to +20°C to +50°C Storage : -20°C to +70°C
<b>EMC Compliance</b>	: AS/NZS 61000.6.3:2012
<b>Housing</b>	DIN rail mounted polyamide, flame retardant UL 94 V0.
<b>Terminals</b>	Spring steel clamp, tin plated copper alloy terminal : up to 1.5mm <sup>2</sup> stranded conductor : wire stripping 9mm



## CARREL ELECTRADE LTD

MANUFACTURERS, IMPORTERS AND DISTRIBUTORS OF ELECTRICAL ENGINEERING PRODUCTS  
 POSTAL ADDRESS: P O BOX 11078, ELLERSLIE 1542, AUCKLAND NEW ZEALAND  
 FACTORY AND OFFICE: 661 GREAT SOUTH ROAD, PENROSE 1061  
 TELEPHONE: +64-9-525 1753 FACSIMILE: +64-9-525 1756  
 CHRISTCHURCH BRANCH: 73B BRISBANE STREET, SYDENHAM  
 TELEPHONE: 03-366 1242 FACSIMILE: 03-379 1991  
 EMAIL: sales@carrel-electrade.co.nz WEB: www.carrel-electrade.co.nz