



R-IS CURRENT MONITORING RELAY



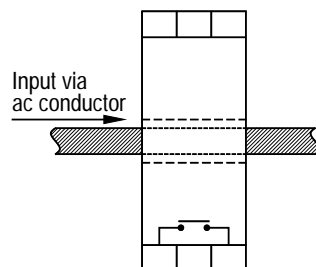
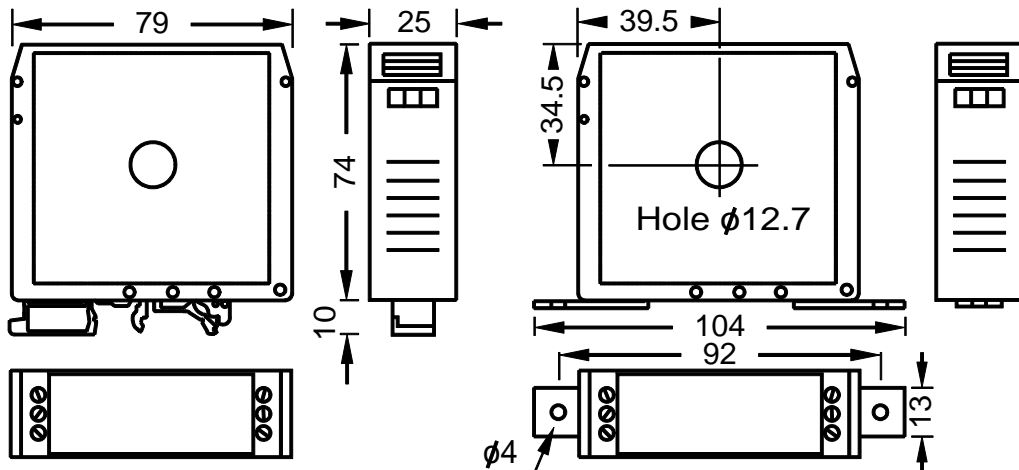
A simple and convenient way to monitor the current draw of ac electric motors, fans, heating elements etc.

The R-IS is a totally self powered relay and is ideal for signalling or switching very light current loads. Current is monitored by feeding the current carrying cable through the hole in the centre of the relay housing. A built-in current transformer detects current flowing in the cable and an adjustable set point controls the level at which the relay will operate. It has a basic range of from 20 to 50A. Lower current values can be monitored by winding the cable through the centre hole a given number of turns. This will divide the basic range by the number of turns used; e.g. 5 turns will give a range of 4 to 10A. A rotary switch on the front panel provides intermediate set points at approximately 2 to 2.5A steps relative to the 20 to 50A basic range.

Specifications

Input	Sinusoidal alternating current passed through hole in the centre of the relay housing Input range : 20 to 50A Through hole conductor size : <12.5mm
Output	Single pole normally open relay Contact rating : <10W resistive up to 5A at 200Vdc or 120Vac
Temperature	Operating : -10°C to +20°C to +50°C Storage : -20°C to +70°C
Housing	Fire retardant module to IP40 in green polyamide, suitable for surface mounting or DIN EN 50022-35 top hat and EN 50035-G32 G-profile mounting rail.
Terminals	Tinned steel insertion type with screw and clamp spring suitable for 2.5mm ² conductor.

Housing & Connection Diagram



CARREL-ELECTRADE LTD

MANUFACTURERS, IMPORTERS AND DISTRIBUTORS OF ELECTRICAL ENGINEERING PRODUCTS
 POSTAL ADDRESS: P O BOX 11078, ELLERSLIE 1542, AUCKLAND NEW ZEALAND
 FACTORY AND OFFICE: 661 GREAT SOUTH ROAD, PENROSE 1061
 TELEPHONE: +64-9-525 1753 FACSIMILE: +64-9-525 1756
 EMAIL: sales@carrel-electrade.co.nz WEB: www.carrel-electrade.co.nz

